

E series

74 ▼ 98 ▼ 122 ▼ 148 ▼ 194 ▼ 244 ▼ 290

W M P C



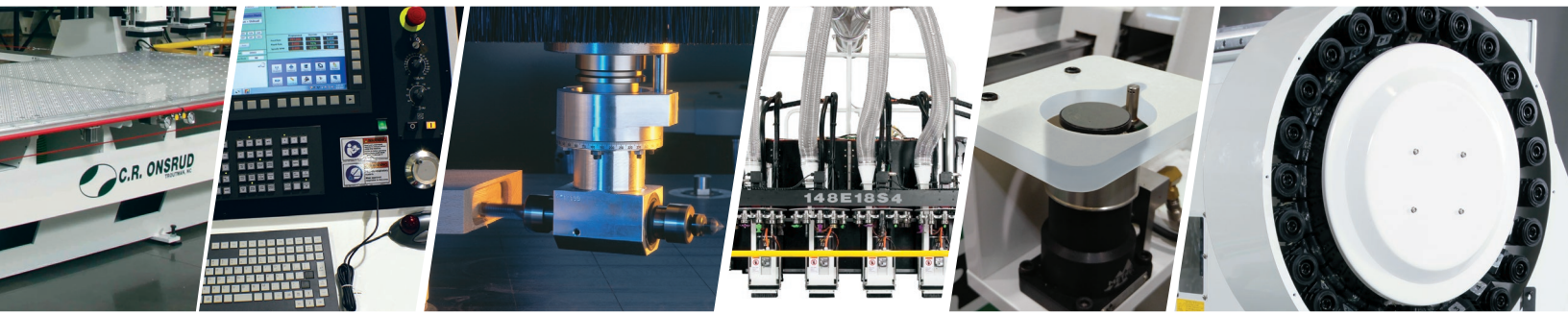
Do you need **Extreme** performance, accuracy, and speed? The **E-Series** twin table design accommodates pendulum-style processing, allowing for greater throughput - while maintaining the flexibility to machine larger parts by electronically locking the tables into one large platform. We affectionately call the **E-Series**, "The Beast" which is exactly how it will perform for you. When you accessorize from the long list of options such as robotic material handling, multiple spindles or the ultimate versatility of our dual process capability, stand back and watch this machine roar.



You need CNC machines with the speed, accuracy, reliability, durability and flexibility to grow your business. The E-Series delivers that and more.

C.R. ONSRUD
AMERICAN-MADE CNC MACHINERY

Real. American. Originals.



	98E Table		Overall	
	Inches	Metric	Inches	Metric
X	60"	1524mm	L 148"	3759mm
Y	96"	2438mm	W 183"	4648mm
Z	12"	305mm	H 107"	2718mm

	122E Table		Overall	
	Inches	Metric	Inches	Metric
X	60"	1524mm	L 148"	3759mm
Y	120"	3048mm	W 250"	6350mm
Z	12"	305mm	H 107"	2718mm

	148E Table		Overall	
	Inches	Metric	Inches	Metric
X	60"	1524mm	L 148"	3759mm
Y	144"	3658mm	W 274"	6960mm
Z	12"	305mm	H 107"	2718mm

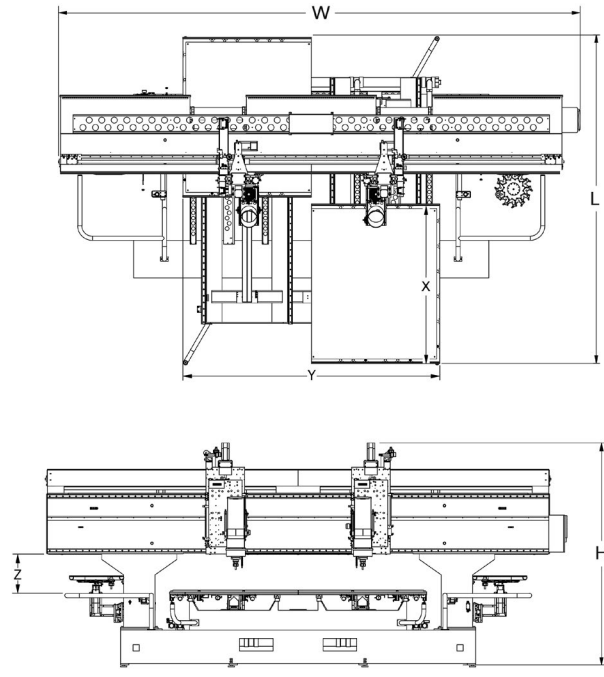
	194E Table		Overall	
	Inches	Metric	Inches	Metric
X	60"	1524mm	L 148"	3759mm
Y	192"	4877mm	W 311"	7899mm
Z	12"	305mm	H 107"	2718mm

	244E Table		Overall	
	Inches	Metric	Inches	Metric
X	60"	1524mm	L 148"	3759mm
Y	120" x 2	3048mm x 2	W 400"	10160mm
Z	12"	305mm	H 107"	2718mm

	290E Table		Overall	
	Inches	Metric	Inches	Metric
X	60"	1524mm	L 148"	3759mm
Y	144" x 2	3658mm x 2	W 440"	11176mm
Z	12"	305mm	H 107"	2718mm

Additional table depths available.

Available in 3 or 5 Axis Configurations!



E-Series Features:

	Standard	Optional
Spindle (S6):	18HP / 13.5kW	24HP / 18kW
Max RPM:	24,000	24,000
Control:	FANUC 0i	Osai OPEN
Tool Management:	12-Pos. Rotary	Up to 120 Tools
Material Control:	Vacuum Holding	Mechanical
Material Handling:	Manual	Automation

Additional Items:	Aggregate Capable	Air Blast / Cold Air Blast
	Auto Tool Measurement	C-Axis
	Drill Block (4,9,14,18, 24)	Labeling
	Enclosure	Linear Scales
	Multiple Spindles	Probing
	Rotary Axis	Robotics Integration
	Automatic Machine Lubrication	
	(Tool MQL) Minimum Quantity Lubrication	

Additional options available upon request.
All features are subject to change.

Find Your Next CNC Machine @ www.cronsrud.com

120 Technology Drive • Troutman, North Carolina 28166 • 704.508.7000

C.R. Onsrud is a proud American manufacturer which designs, engineers and builds tailor-made CNC machinery